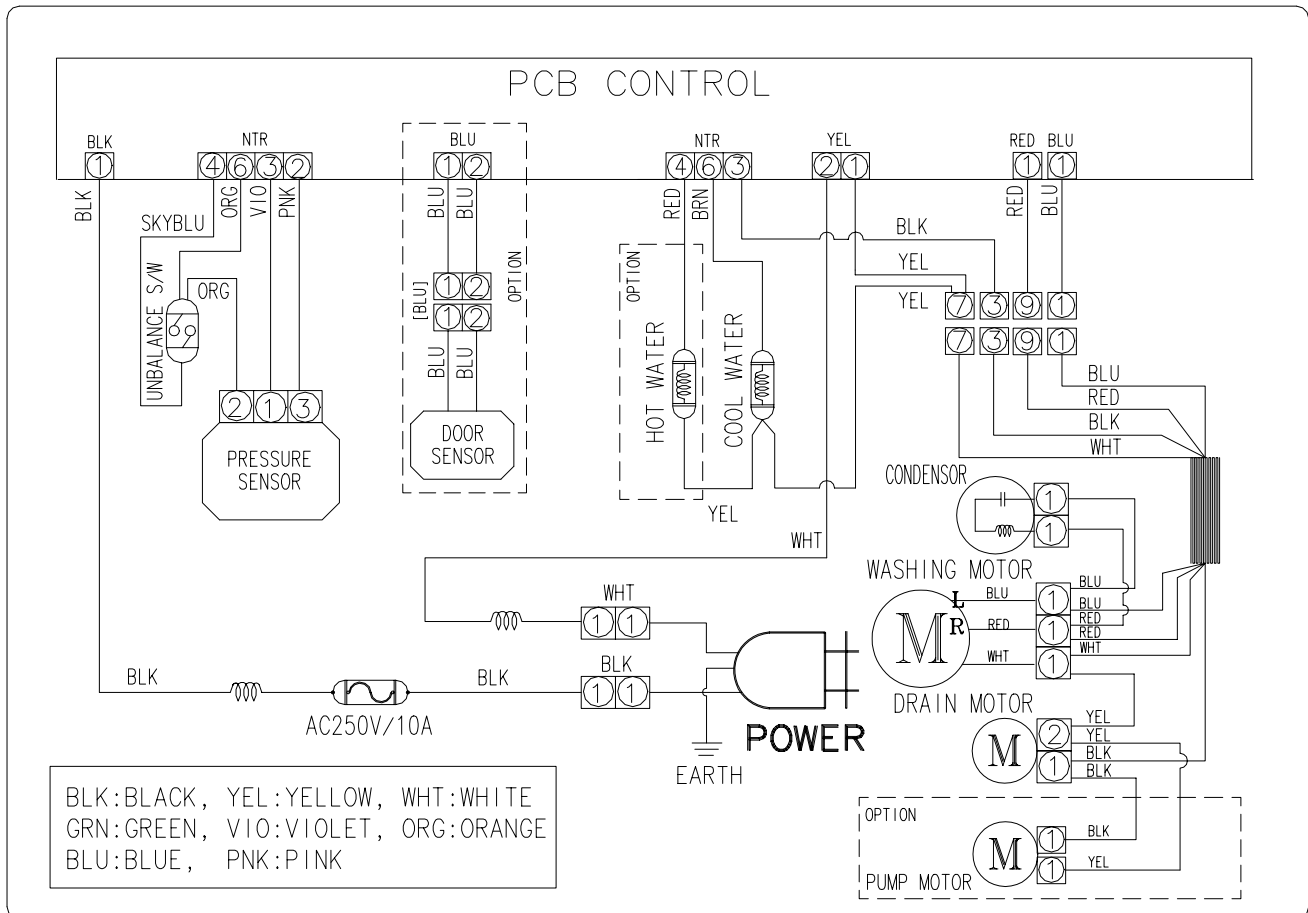


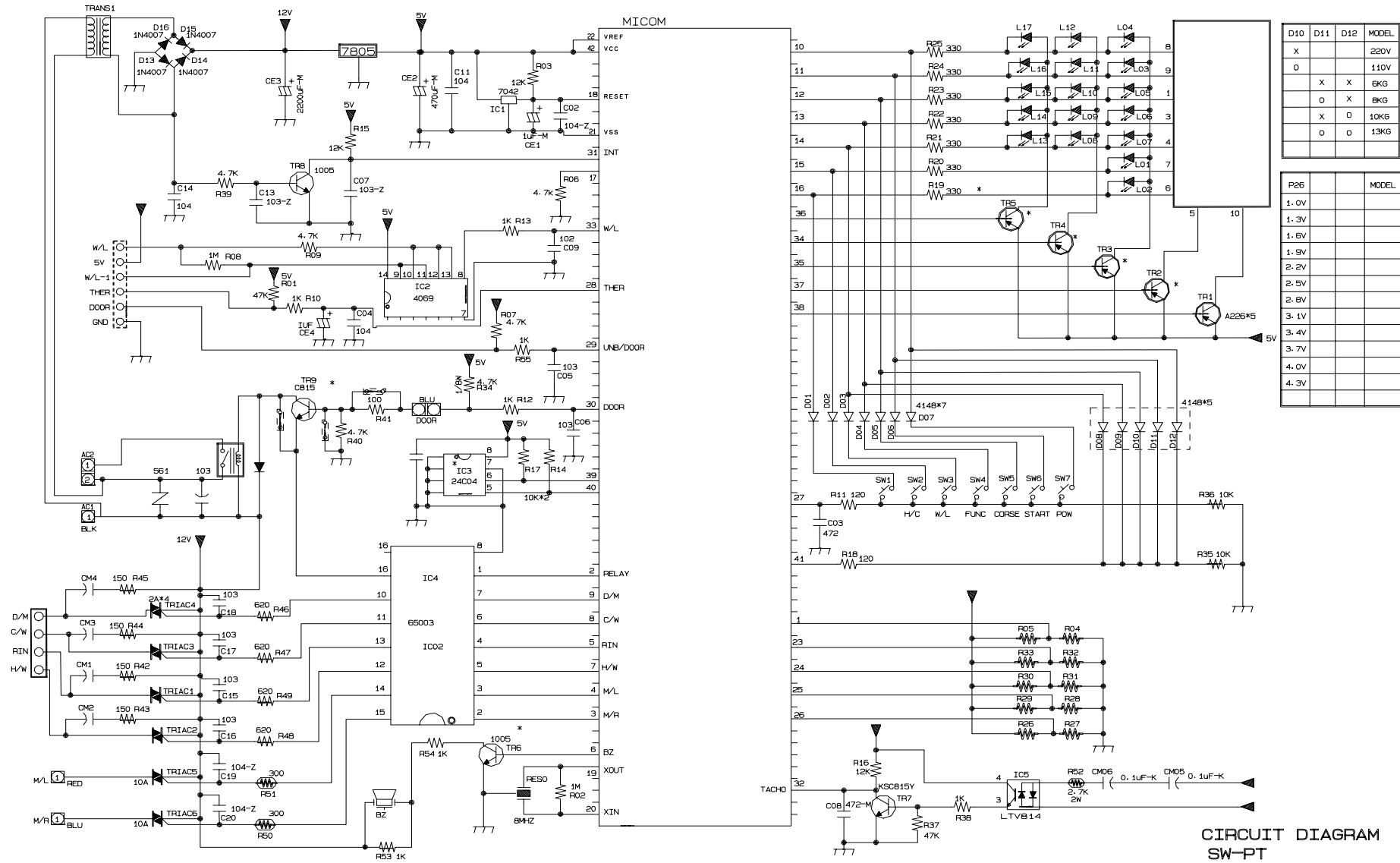
# 5. Schematic and Circuit Diagram

## 5-1 Schematic Diagram



# 5-2 Circuit Diagram

This Document can not be used without Samsung's authorization.



CIRCUIT DIAGRAM SW-PT