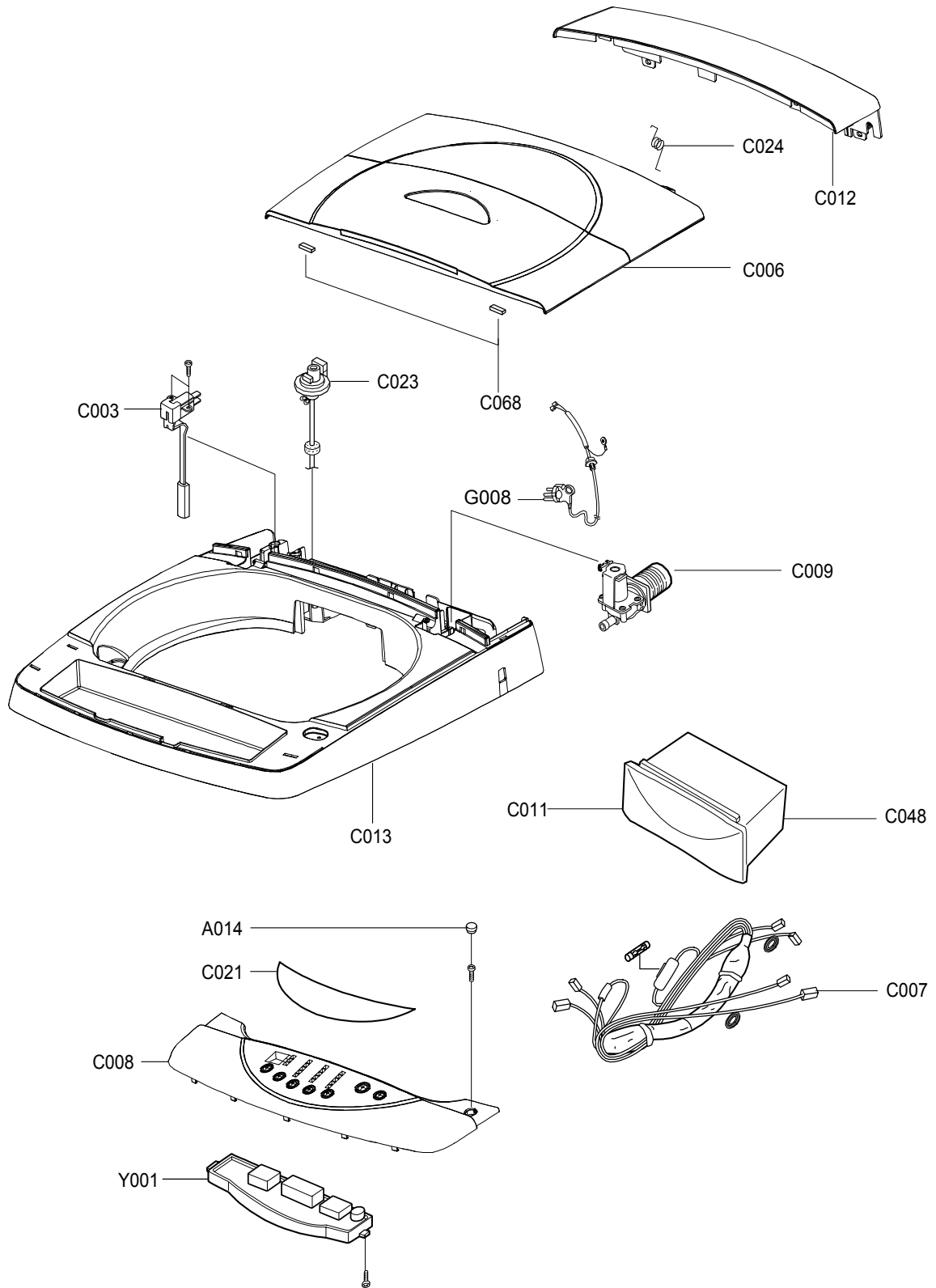


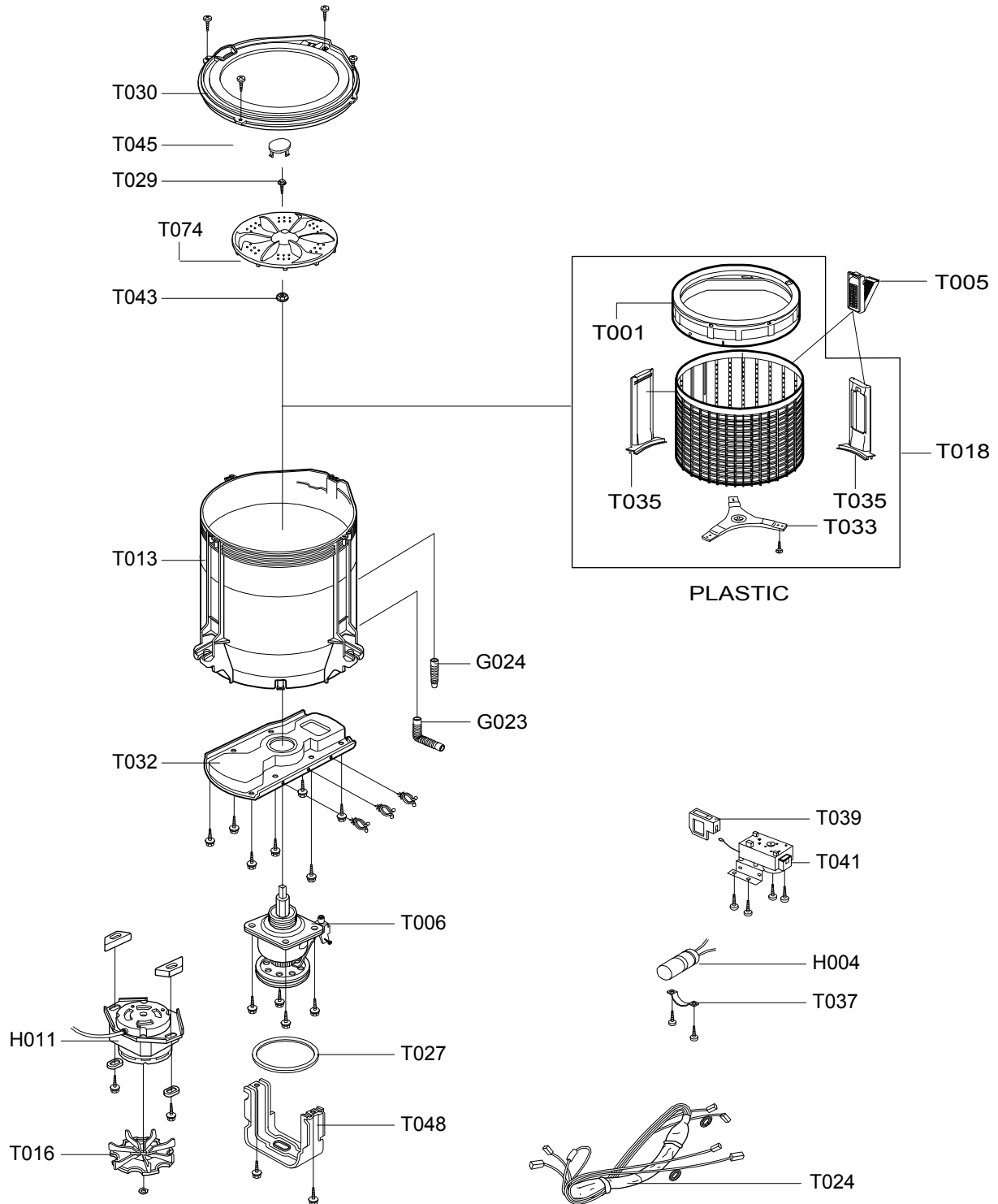
8. Exploded Views

ASSY-COVER TOP



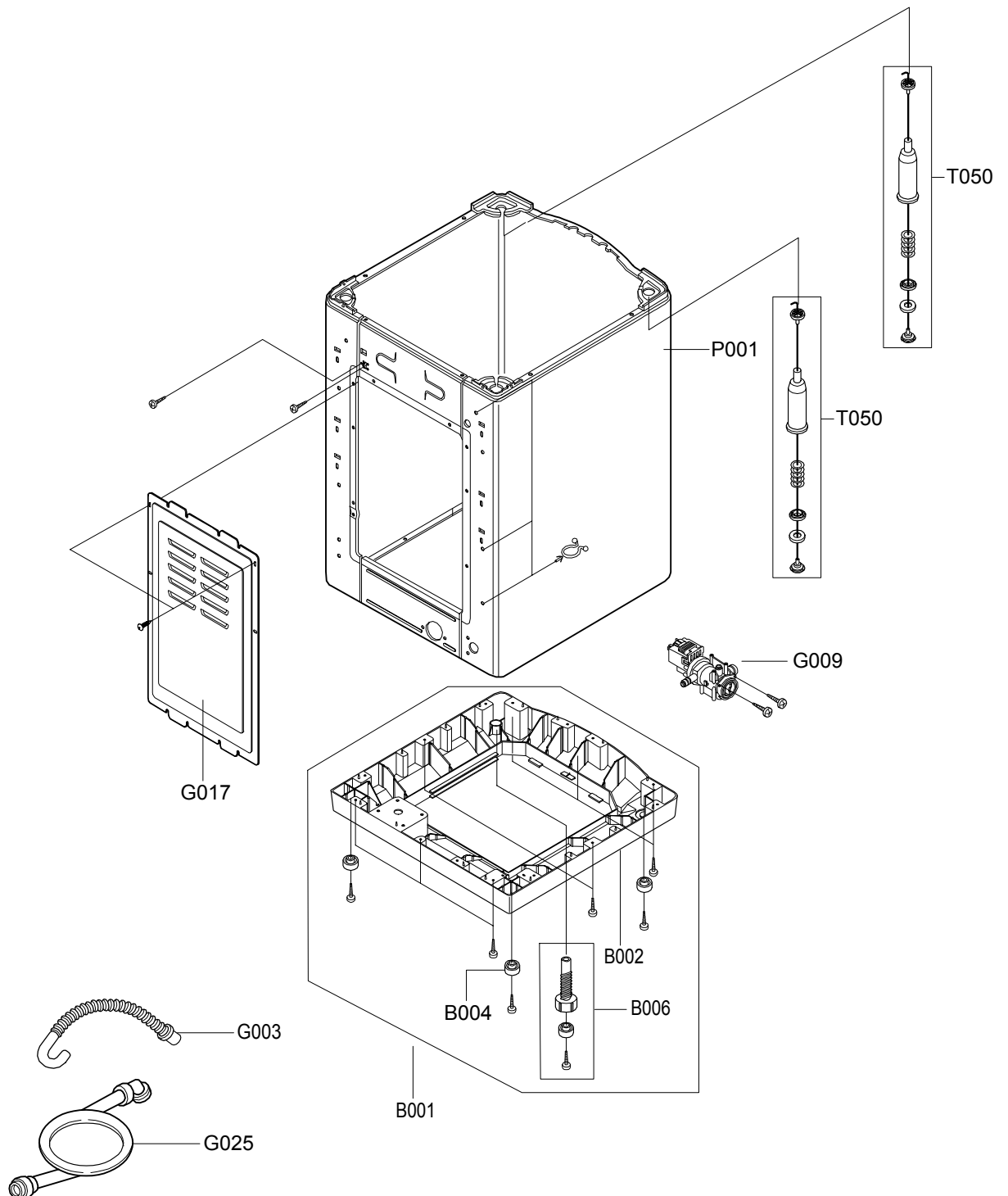
8. Exploded Views

ASSY-TUB OUTER(SPIN BASKET)



8. Exploded Views

ASSY-CASE OUTER



Parts List

NO.	CODE NO.	DESCRIPTION;SPECIFICATION	QTY
T032	DC61-70178A	DIE-MOTOR;SW-52A,SBHG1(TSE),-, -, -, T1.6	1
T033	DC66-00046B	FLANGE-SHAFT;SW70D1, -, ALDC, ID- PROCESS	1
T035	DC61-60524A	GUIDE-W.F(P);SW70A1(G6),SHV-745CC1,SSEC,	1
T035	DC61-60525A	GUIDE-W.F(P);SW70A1(G6),TN-5630T(SSEC),-	1
T037	DC61-40077A	HOLDER-CONDENSER;-, PP, -, -, -, NTR	1
T039	DC66-30027A	LINK;PP(TB53),L52.5,NTR	1
T041	DC31-20014D	MOTOR DRAIN;KD-SM11TB,100~120V,50~60HZ(B	1
T043	DC60-50004A	NUT-SPIN;ZNDC1,M24,L14,CW	1
T045	DC66-00032A	PULSATOR-CAP;SEW-G6/G8,ABS,PEACOCK/GRN,-	1
T048	DC61-40053B	SUPPORT-SADDLE;T1.0,EGI, -, -, -, SW-5A1	1
T049	DC61-00128A	TUB-OUTER;-, PP, -, -, NTR,G6-NEW/6kg	1
T050	DC97-00121E	ASSY-DAMPER;WS7500/REAR(WHT),ONIDA/CKD	1
T050	DC97-00121D	ASSY-DAMPER;WS7500/FRONT(RED),ONIDA/CKD/	1
T074	DC66-50194E	PULSATOR;SWG6,PP(HI50S),LIGHT/GRY, -, TSE-	1
Y001	MFS-701BC6-09	ASSY PCB PARTS;WA701BCTDW	1

CODE NO.	DESCRIPTION	SPECIFICATION	QTY	REMARK
6002-001306	SCREW-TAPPING	TH,+,1,M4,L14,ZPC(YEL)	3	RUBBER-LEG
6002-001306	SCREW-TAPPING	TH,+,1,M4,L14,ZPC(YEL)	1	RUBBER-LEG
6002-000239	SCREW-TAPPING	TH,+,2S,M4,L8,ZPC(YEL),SM20C	4	COV-BACK
6002-001306	SCREW-TAPPING	TH,+,1,M4,L14,ZPC(YEL)	9	BASE
6002-001306	SCREW-TAPPING	TH,+,1,M4,L14,ZPC(YEL)	4	PUMP
DE60-10012A	SCREW-TAP TITE	-,SWR10,M4,L10,TH,+,-,3,ZPC2,	1	E/W
DE60-10012A	SCREW-TAP TITE	-,SWR10,M4,L10,TH,+,-,3,ZPC2,	1	FRAME
6002-000213	SCREW-TAPPING	TH,+,1,M4,L12,ZPC(YEL),SWRCH18	5	PCB
6002-001006	SCREW-TAPPING	TH,+,2S,M4,L12,-,STS410	1	PANEL
6002-001306	SCREW-TAPPING	TH,+,1,M4,L14,ZPC(YEL)	2	CHECKER
DC60-20058A	SCREW-TAPPING	-,STS,D5,L20,-, -, -, -, -	2	COV/TOP
DC61-10331P	COVER-SCREW	-,ABS,-, -, -, -, WHT,SW-5A1	1	-
6002-001306	SCREW-TAPPING	TH,+,1,M4,L14,ZPC(YEL)	2	BODY DETERGENT
6002-000511	SCREW-TAPPING	RH,+,2,M3,L8,ZPC(YEL),SWRCH18A	2	-
6002-000213	SCREW-TAPPING	TH,+,1,M4,L12,ZPC(YEL),SWRCH18	1	C/CLAMP
6002-001160	SCREW-TAPPING	TH,+,2,M5,L16,PASS,STS430	4	COVER-TUB
6002-001308	SCREW-TAPPING	TH,+,1,M5,L20,ZPC(YEL)	2	CONDENSER
6002-001311	SCREW-TAPPING	HH,+,2S,M6.2,L20,ZPC(YEL)	2	-
DC02-10009A	CHEMICALS-LOCK SCREW	NO2,-, -, -	0.0003	-
DC60-00004A	BOLT-PULSATOR	-,HEX,M6,L20.5,-, -, -, SW70A1,STS304	1	-
DC60-50004A	NUT-SPIN	-,ZNDC1,M24,-, -, -, L14,-, -, -, CW	1	-
DC91-11258B	ASSY-SCREW	M8*40.FE/FZY,MOTOR(COATING)	2	MOTOR
DC91-11258E	ASSY-SCREW	M8*22FE/FZY,SHAFT+DIE-MOTO(COAT)	4	CLUTCH
DC91-11258M	ASSY-SCREW	M5*15FE/FZY,SADDLE+SHAFT(COAT)	2	D/MOTOR
DC60-50153A	NUT-HEX	-,FE,M8/P1.25,-, -, -, -, FZY,-, -, -	1	-
6002-001186	SCREW-TAPPING	TH,+,2,M5.5,L16,PASS,STS304	6	BALANCE
6002-001187	SCREW-TAPPING	TH,+,2,M5.5,L20,PASS,STS304	6	F/SHAFT
DC97-00623A	ASSY-WASHER PLAIN	SEW-524,SEM-NEW	1	-
DC60-00012A	WASHER-PLAIN	STS304,ID24,OD37,T3.0,PLAIN,-, -, SEM-NEW	1	-
6002-000213	SCREW-TAPPING	TH,+,1,M4,L12,ZPC(YEL),SWRCH18	1	E/W
6002-001311	SCREW-TAPPING	HH,+,2S,M6.2,L20,ZPC(YEL)	8	DIE+TUB



ELECTRONICS

This Service Manual is a property of Samsung Electronics Co.,Ltd.
Any unauthorized use of Manual can be punished under applicable
International and/or domestic law.

© Samsung Electronics Co., LTD. FEBRUARY 2004
Printed in Korea
CODE NO. : DC68-02089A