

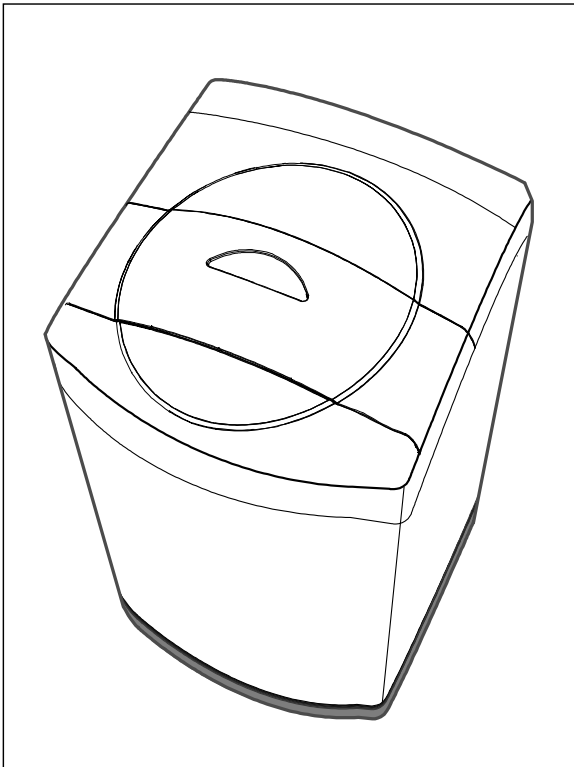
SAMSUNG

WASHING MACHINE

WB14B9Q1DW/YE

SERVICE *Manual*

WASHING MACHINE



CONTENTS

1. Precautions
2. Specifications
3. Features
4. Operating Instructions
5. Schematic and Circuit Diagrams
6. Disassembly and Reassemble
7. Troubleshooting
8. Exploded Views

Copyright

© Samsung Electronics Co., LTD.

All right reserved.

The information in this manual is subject to change without notice.

1. Precautions

When performing trouble - shooting and part replacement during servicing note the following safety precautions.

1-1 Safety Precautions

1-1-1 Use Genuine Parts

The components of the washing machine have safety -features such as non - combustibility and voltage withstanding. Therefore, always use the same part as used when replacing parts. In particular, be sure to use only designated parts in case of major safety parts identified by the making.

1-1-2 Grounding

Connect the grounding wire to the shell plate, and bury it under at least 25cm of earth ; alternatively, connect the ground wire to the appropriate pin on a properly grounded power receptacle.

- Never ground it to the telephone line, lightning rod, or gas pipe.

1-2 Servicing Precautions

1-2-1 Observe warnings

Be sure to follow special warnings and precautions that are described on part labels and in the owner's manual.

1-2-2 Special Precautions for Parts Assembly and wiring

When assembling parts that use safety - insulation material (such as tube and tape), or when installing internal wiring, be sure to restore all parts and wiring to their original positions.

Take special care to avoid contact with sharp edges.

1-2-3 Safety Checks after Servicing

After servicing, check to see that the screws, parts, and wiring are restored to their original positions, and check the insulation between the external metals and the socket plug. In addition, place the washing machine in a level position (less than 1° of grade) to prevent vibration and noise during operations.

1-2-4 Insulation Check

Pull out the plug from the power receptacle, pour water into the spin tub, and then set the timer. Check to see that the insulation resistance between the terminals of the plug and the exposed metal is greater, than 1 MΩ .

Note : When it is impossible to perform the insulation check with a 500V insulation resistance tester, use other testers for inspection.